

IGNITE

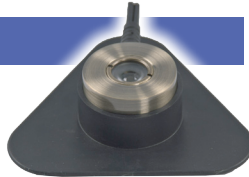
LED Lighting

1 Watt Brass Puck LED Fixture

Installation Instructions

PACKAGE INCLUDES:

- 1-Watt, Brass Puck LED Light
- Plastic Light Stand
- Photo Cell Switch
- 6 Watt, 12 Volt Transformer



WARNING

It is recommended whenever working in or near water to have all electrical devices plugged into a ground fault circuit interrupter (GFCI) that has been installed by a licensed electrician.

COVER TO LIGHT MUST BE TIGHT AT ALL TIMES TO PREVENT ANY LEAKING .

LEGAL WARNINGS

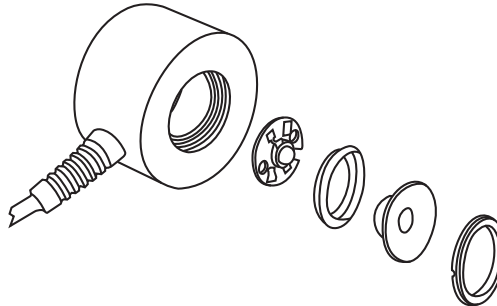
Except as stated in the warranty, there are no other representatives or warranties related to the product or its use. THE USER SHALL DETERMINE THE SUITABILITY OF THE PRODUCT FOR THE USER'S INTENDED USE, AND THE USER ASSUMES ALL RISKS AND LIABILITIES WHATSOEVER IN CONNECTION THEREWITH. Seller and manufacturer's only obligation is to repair and or replacement of submersible light housing as stated below. ALL IMPLIED WARRANTIES ARE HEREBY EXCLUDED, INCLUDING, BUT NOT LIMITED TO ANY IMPLIED WARRANTY OF MERCHANTABILITY OR FITNESS FOR A PARTICULAR PURPOSE. Neither seller nor the manufacturer shall be liable for any injury loss, or damage whether direct, incidental, or consequential arising out of the use or inability to use the product.

To reduce the risk of electrical shock, all wiring and junction connections should be made per local codes. Requirements may vary depending on usage and location.

Installing the Light

It is easiest to install and conceal the 1-Watt Brass Puck LED light(s) prior to putting the gravel in the pond and stream. Find a desirable location for the light(s). We suggest positioning the light(s) so they are facing away from the main viewing area. Double-check to make sure that the ring nut is fastened tightly down using the supplied lens key. Depending on the installation, the 1-Watt Brass Puck LED light(s) can be used in or out of water. If being used out of water attach the light to the stand, if being used in the stream area the light can be used with the light stand or without. Simply take the cord and plug into the transformer, plug in transformer and enjoy! The 1-Watt Brass Puck LED light(s) can also be wired directly into a preexisting

low voltage lighting system. In order to do this, cut off the plug on the light and splice directly into the low voltage wire.



Replacing the Light Bulb

1. Make sure all power is shut off to the light before changing the bulb. The light housing must be above water to properly service the light bulb.
2. Unscrew the ring nut from the front of the light housing unit using the supplied lens key.
3. Remove the glass lens and o-ring from light housing.
4. Remove the LED bulb.
5. Insert the new bulb.
6. The o-ring and lens can now be installed back into place. Make sure there is no dirt or debris on the lens, o-ring and assembly prior to reassembling.
7. Attach the ring nut onto the light housing.
8. Test to make sure light works.
9. Position light back into pond.

Troubleshooting

- Make sure that the plug is inserted all the way into the transformer. If light is wired into a low voltage lighting system make sure all of the connections are sound.
- Make sure that no water has seeped into light housing unit.
- Check light bulb.
- Bulb life can be greatly increased by setting timer on transformer, so the light only operates during the desired times.

1 YEAR WARRANTY

The 1 Watt, Brass Puck LED Light is warranted against defective materials and workmanship for a period of 12 months from the date of purchase by the user. Contact the installer or place of purchase if the 1 Watt, Brass Puck LED Light should fail within the warranty period. Warranty shall be totally null and void in the event the 1 Watt, Brass Puck LED Light is abused, misused, or used for a purpose other than for which the product is intended. No warranty applies to the light bulb used with the housing.

Available Replacement Parts (sold separately)

1WLEDP - LED Replacement Bulb
6WTR - 6 Watt Transformer

Optional Parts (sold separately)

PHCELL - Photo Cell Switch
1M3SPLIT - 3' - 3 way Splitter
15FTEXT - 15' Extension Cable



1000 Liberty Industrial Dr.
O'Fallon, Mo 63366
www.anjonmfg.com